

**Notes**

**1. Net weight**

- Without Disconnect Switch 161 lbs (73.0 kg)
- With Disconnect Switch 174 lbs (78.9 kg)

**2. Shipping Weight**

- Without Disconnect Switch 224 lbs (101.6 kg)
- With Disconnect Switch 237 lbs (107.5 kg)

**3. Ambient Temperature Limits and Altitude**

- Operating: -40°F to 104°F (-40°C to 40°C)
- Storage: -58°F to 140°F (-50°C to 60°C)
- Maximum Altitude: 10,000 ft (3048 m) ASL

**4. Air Delivery**

- 15 kW = 1200 cfm (2039 m<sup>3</sup>/hr)
- 20 kW = 1700 cfm (2888 m<sup>3</sup>/hr)

**5. Hazardous Location Classification**

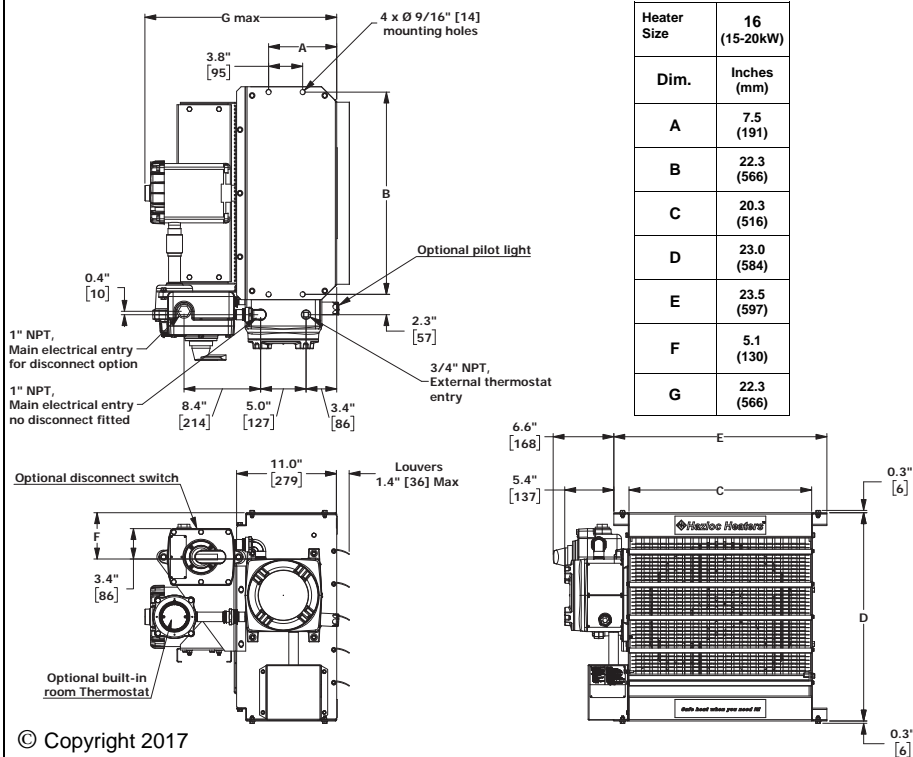
- Class I, Divisions 1 & 2, Groups C & D
- Class II, Divisions 1 & 2, Groups F & G
- Temperature Code T3B
- Class I, Zones 1 & 2, Groups IIA & IIB, T3

**6. Materials**

- Cabinet: 14 Ga, Yellow Epoxy/Polyester Powder Coated
- Core: Carbon Steel with Copper-free Integral Aluminum Fins Coated with Black, High Heat Enamel (Heresite coated core and/or cabinet available)

**Table 1 Specifications for XEU1 Heater, 16" Fan Size**

KW (BTU/HR)	Line Volt	PH	Fan Dia. (inch)	Total Amps	Minimum Circuit Ampacity	Max Fuse Size	Supply Wire 90°C (AWG)	BASE MODEL	Control Voltage 120V or 24V		Built-in Thermostat	Built-in Disconnect Switch	Built-in Pilot Light	Continuous Fan
									120	24				
15 (51180)	208	3	16	42.7	53.4	60	8	XEU1-16-150-208360	<input type="checkbox"/>	<input type="checkbox"/>	<input type="checkbox"/>	<input type="checkbox"/>	<input type="checkbox"/>	<input type="checkbox"/>
	240	3		37.2	46.5	50	8	XEU1-16-150-240360	<input type="checkbox"/>	<input type="checkbox"/>	<input type="checkbox"/>	<input type="checkbox"/>	<input type="checkbox"/>	<input type="checkbox"/>
	480	3		18.6	23.2	25	10	XEU1-16-150-480360	<input type="checkbox"/>	<input type="checkbox"/>	<input type="checkbox"/>	<input type="checkbox"/>	<input type="checkbox"/>	<input type="checkbox"/>
	600	3		14.9	18.6	20	12	XEU1-16-150-600360	<input type="checkbox"/>	<input type="checkbox"/>	<input type="checkbox"/>	<input type="checkbox"/>	<input type="checkbox"/>	<input type="checkbox"/>
20 (68240)	480	3	16	24.6	30.8	35	10	XEU1-16-200-480360	<input type="checkbox"/>	<input type="checkbox"/>	<input type="checkbox"/>	<input type="checkbox"/>	<input type="checkbox"/>	<input type="checkbox"/>
	600	3		19.7	24.6	25	10	XEU1-16-200-600360	<input type="checkbox"/>	<input type="checkbox"/>	<input type="checkbox"/>	<input type="checkbox"/>	<input type="checkbox"/>	<input type="checkbox"/>



Heater Size	16 (15-20kW)
Dim.	Inches (mm)
A	7.5 (191)
B	22.3 (566)
C	20.3 (516)
D	23.0 (584)
E	23.5 (597)
F	5.1 (130)
G	22.3 (566)

**Model Series**  
XEU 1 - 16 - 150 - 480 3 60 - A - Y - B

**Generation**  
For major revisions

**Fan Size**  
16 Inches | 16

**Power Output**  
15 kW | 150  
20 kW | 200

**Heater Line Voltage**  
208 Volts | 208  
240 Volts | 240  
480 Volts | 480  
600 Volts | 600

**Phase**  
1 Phase | 1  
3 Phase | 3

**Product Revision No.**  
For minor revisions

**Factory Built-in Options**  
N No options selected  
Y Yes, options selected

**Options Codes**  
(stamped on separate field of data plate)  
T1 Thermostat (BTX1-N-A)  
D Disconnect Switch  
P Pilot Light (Heat On)  
F Continuous Fan  
H1 Heresite Core  
H2 Heresite Cabinet  
H3 Heresite Core/Cabinet

**Control Voltage**  
A 120 Volt  
B 24 Volt

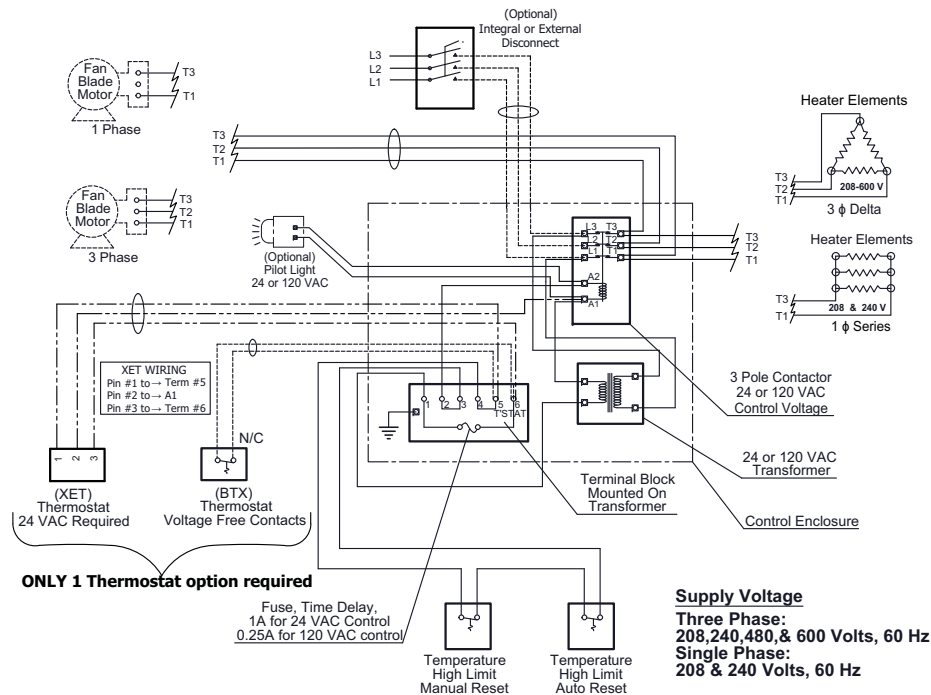
**Frequency**  
60 60 Hertz

Includes louvers & fan blade >

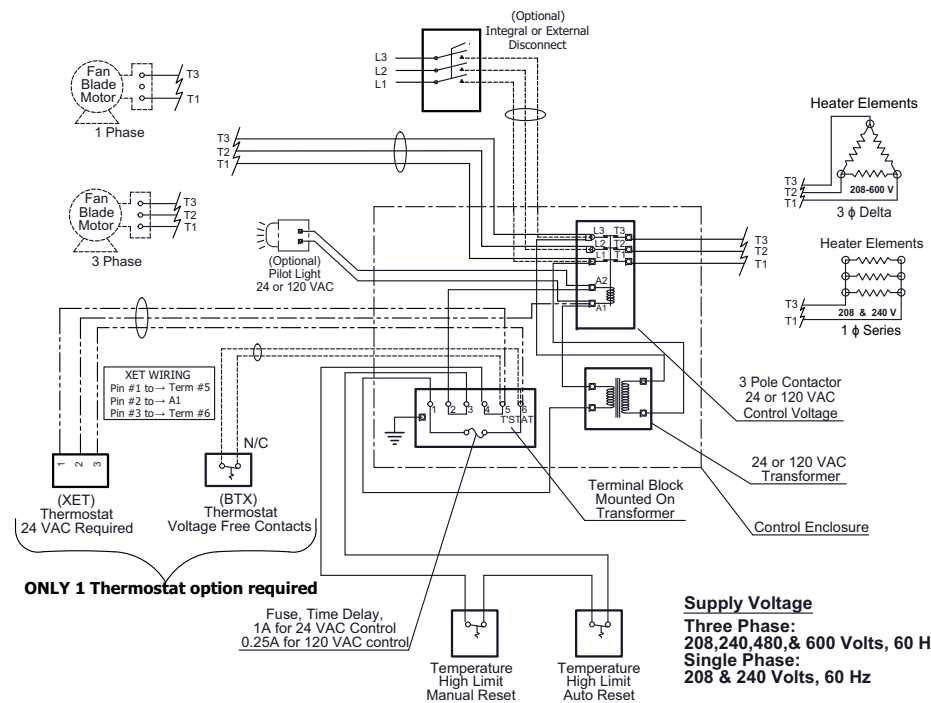
Approval Drawing	XEU1, 16" Fan Size Heater
Sept. 25, 2017	Version 3.2
Hazloc Heaters Inc.	Calgary, Alberta



### Wiring Diagram for Standard Fan Operation



### Wiring Diagram for Continuous Fan Operation



Approval Drawing	XEU1, 16" Fan Size Heater
Feb. 17, 2017	Version 3.1
Hazloc Heaters Inc.	Calgary, Alberta