

Notes

1. Net weight

- Without Disconnect Switch 192 lbs (87.1 kg)
- With Disconnect Switch 205 lbs (92.9 kg)

2. Shipping Weight

- Without Disconnect Switch 261 lbs (118.4 kg)
- With Disconnect Switch 237 lbs (124.3 kg)

3. Ambient Temperature Limits and Altitude

- Operating: -40°F to 104°F (-40°C to 40°C)
- Storage: -58°F to 140°F (-50°C to 60°C)
- Maximum Altitude: 10,000 ft (3048 m) ASL

4. Air Delivery

- 25 kW = 2100 cfm (3568 m³/hr)
- 30 kW = 3000 cfm (5097 m³/hr)
- 35kW = 3000 cfm (5097 m³/hr)

5. Hazardous Location Classification

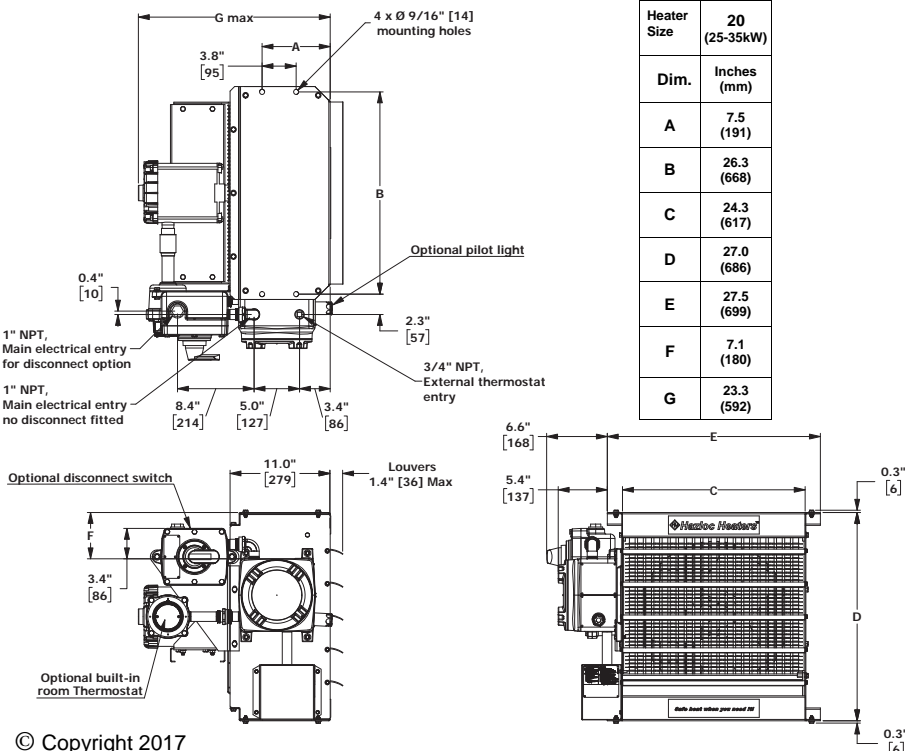
- Class I, Divisions 1 & 2, Groups C & D
- Class II, Divisions 1 & 2, Groups F & G
- Temperature Code T3B (35kW = T3A)
- Class I, Zones 1 & 2, Groups IIA & IIB, T3

6. Materials

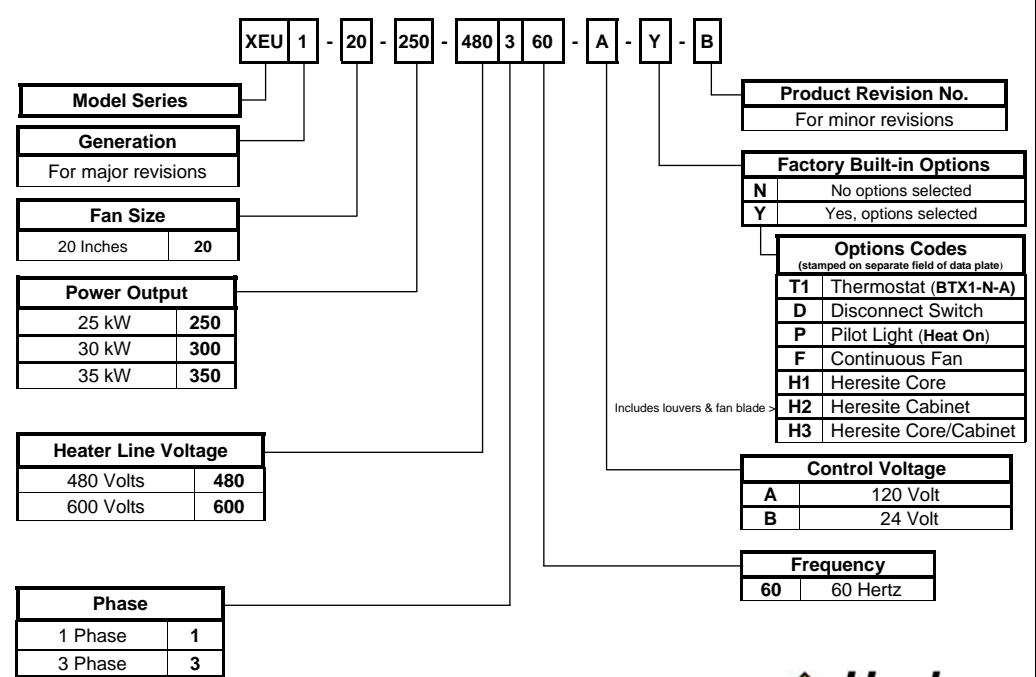
- Cabinet: 14 Ga, Yellow Epoxy/Polyester Powder Coated
- Core: Carbon Steel with Copper-free Integral Aluminum Fins Coated with Black, High Heat Enamel (Heresite coated core and/or cabinet available)

Table 1 Specifications for XEU1 Heater, 20" Fan Size

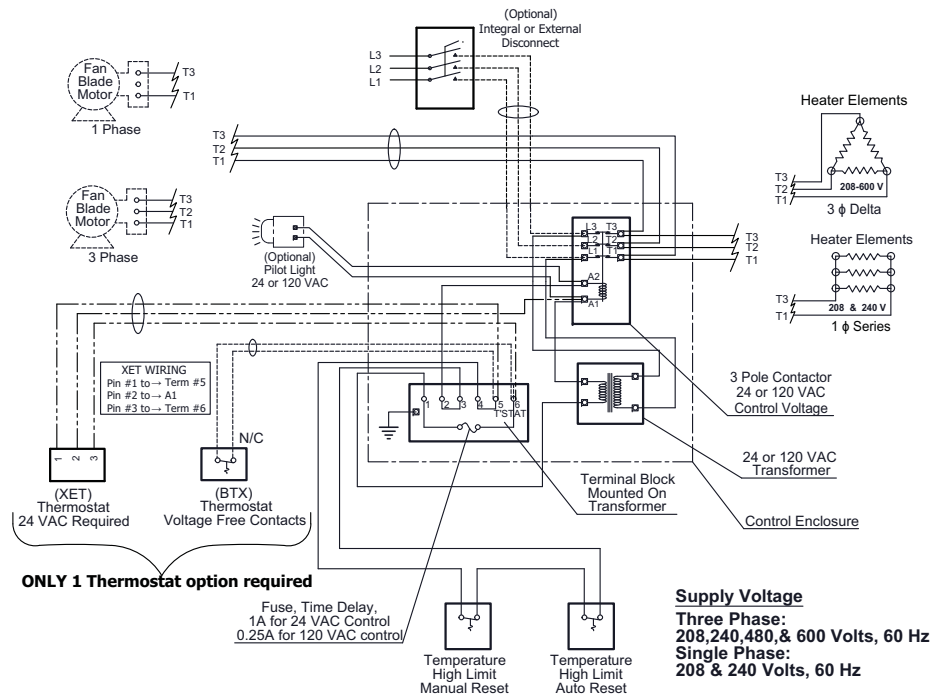
KW (BTU/HR)	Line Volt	PH	Fan Dia. (inch)	Total Amps	Minimum Circuit Ampacity	Max Fuse Size	Supply Wire 90°C (AWG)	BASE MODEL	Control Voltage 120V or 24V		Built-in Thermostat	Built-in Disconnect Switch	Built-in Pilot Light	Continuous Fan
									120 <input checked="" type="checkbox"/>	24 <input checked="" type="checkbox"/>				
25 (85300)	480	3	20	31.3	39.1	40	8	XEU1-20-250-480360	<input type="checkbox"/>	<input type="checkbox"/>	<input type="checkbox"/>	<input type="checkbox"/>	<input type="checkbox"/>	<input type="checkbox"/>
	600	3		25.1	31.3	35	8	XEU1-20-250-600360	<input type="checkbox"/>	<input type="checkbox"/>	<input type="checkbox"/>	<input type="checkbox"/>	<input type="checkbox"/>	<input type="checkbox"/>
30 (102360)	480	3	20	37.3	46.6	50	8	XEU1-20-300-480360	<input type="checkbox"/>	<input type="checkbox"/>	<input type="checkbox"/>	<input type="checkbox"/>	<input type="checkbox"/>	<input type="checkbox"/>
	600	3		29.9	37.3	40	8	XEU1-20-300-600360	<input type="checkbox"/>	<input type="checkbox"/>	<input type="checkbox"/>	<input type="checkbox"/>	<input type="checkbox"/>	<input type="checkbox"/>
35 (119420)	480	3	20	43.3	54.1	60	8	XEU1-20-350-480360	<input type="checkbox"/>	<input type="checkbox"/>	<input type="checkbox"/>	<input type="checkbox"/>	<input type="checkbox"/>	<input type="checkbox"/>
	600	3		34.7	43.3	45	8	XEU1-20-350-600360	<input type="checkbox"/>	<input type="checkbox"/>	<input type="checkbox"/>	<input type="checkbox"/>	<input type="checkbox"/>	<input type="checkbox"/>



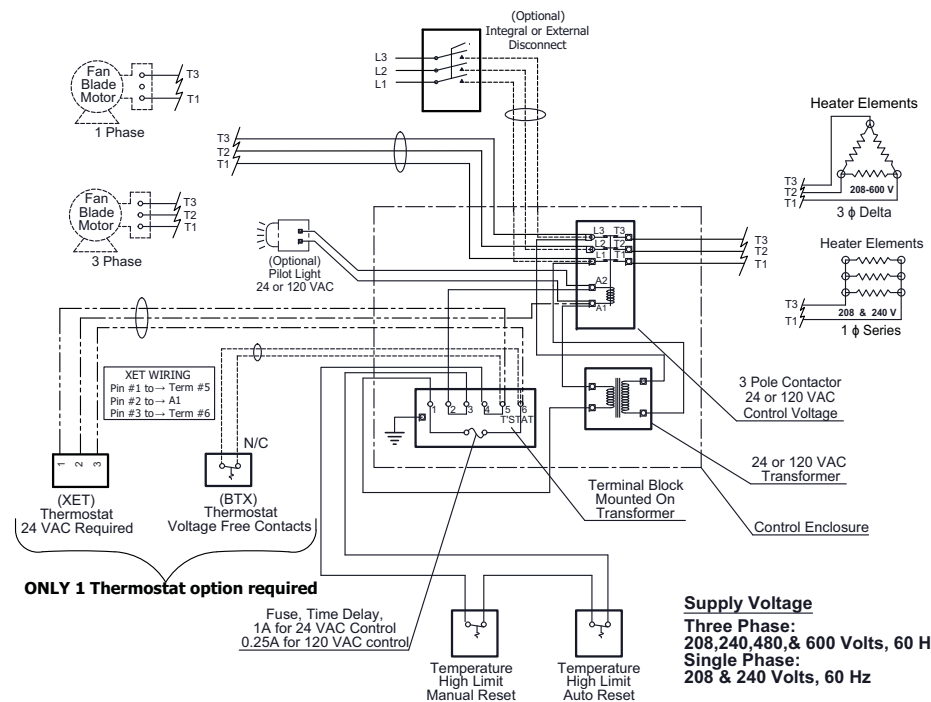
Heater Size	20 (25-35kW)
Dim.	Inches (mm)
A	7.5 (191)
B	26.3 (668)
C	24.3 (617)
D	27.0 (686)
E	27.5 (699)
F	7.1 (180)
G	23.3 (592)



Wiring Diagram for Standard Fan Operation



Wiring Diagram for Continuous Fan Operation



Approval Drawing	XEU1, 20" Fan Size Heater
Feb. 17, 2017	Version 3.1
Hazloc Heaters Inc.	Calgary, Alberta