

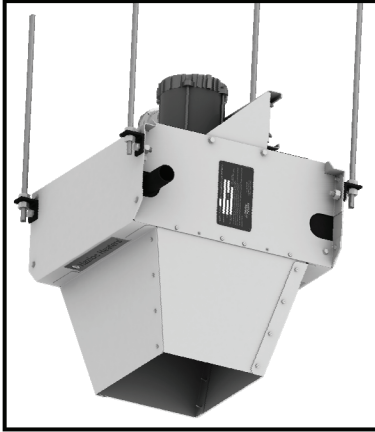
HHP Heater Vertical Hanging Mounting Bracket (VHMB) Installation Instructions

Ensure heater model number corresponds with the correct model and size of mounting bracket identified on the outside of packaging.

WARNING!

Refer to heater owner's manual for mounting specifications and conditions. If the heater is installed on a structure that is to be transported, provide additional support for heater during transit. Suspended weight should not exceed 500 lbs (227 kg).

Vertical Hanging Mounting Bracket (VHMB)

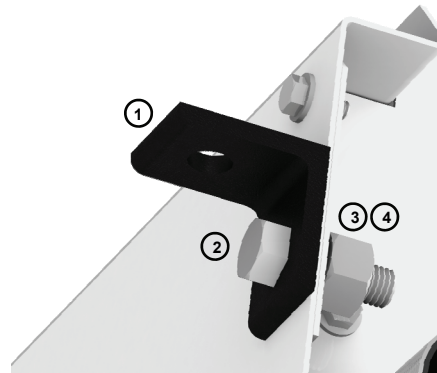


Note: *Installer is required to supply:*

- A) four 3/8" or 10 mm threaded rods.
- B) eight nuts.
- C) eight lock washers.

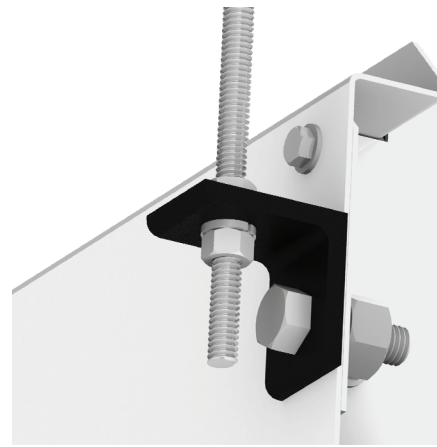
STEP 1

Fasten four Angle Brackets to mounting holes located in top and bottom panels of heater using 1/2" - 13UNC x 1-1/2" bolts, 1/2" Lock Washers and 1/2" - 13 UNC Nuts.



STEP 2

Hang heater using installer supplied threaded rod, lock washers and nuts.



PACKAGE CONTENTS

Item	Qty.	Description
①	4	Angle Brackets
②	4	Bolt, 1/2" - 13UNC x 1-1/2"
③	4	Lock Washer, 1/2"
④	4	Nut, 1/2" - 13UNC