

# XE1 Exhario SERIES SUBMITTAL

Exhaust Fan

For Hazardous Locations

**XE1**  
Exhario



CFM	Volts	Ph	Fan Diameter In. (mm)	Base Model Code before motor Options ? = Select a <b>Motor type</b> * = Select a <b>Mounting Configuration</b> †	Total Amps (A)	"Motor Type" ? See below for Motor Options (See below for more information)	Mounting Configuration * (See below for more information)
640	115	1	12 (305)	XE1-12-0640-115160-?-*-A	8.8	E1 <input type="checkbox"/> or GP <input type="checkbox"/>	FM <input type="checkbox"/> , W4 <input type="checkbox"/> , or W6 <input type="checkbox"/>
640	230	1	12 (305)	XE1-12-0640-230160-?-*-A	4.4	E1 <input type="checkbox"/> or GP <input type="checkbox"/>	FM <input type="checkbox"/> , W4 <input type="checkbox"/> , or W6 <input type="checkbox"/>
640	230	3	12 (305)	XE1-12-0640-230360-?-*-A	2.4	E1 <input type="checkbox"/> , E2 <input type="checkbox"/> , or GP <input type="checkbox"/>	FM <input type="checkbox"/> , W4 <input type="checkbox"/> , or W6 <input type="checkbox"/>
640	460	3	12 (305)	XE1-12-0640-460360-?-*-A	1.2	E1 <input type="checkbox"/> , E2 <input type="checkbox"/> , or GP <input type="checkbox"/>	FM <input type="checkbox"/> , W4 <input type="checkbox"/> , or W6 <input type="checkbox"/>
640	575	3	12 (305)	XE1-12-0640-575360-?-*-A	0.95	E1 <input type="checkbox"/> , E2 <input type="checkbox"/> , or GP <input type="checkbox"/>	FM <input type="checkbox"/> , W4 <input type="checkbox"/> , or W6 <input type="checkbox"/>
855	115	1	12 (305)	XE1-12-0855-115160-?-*-A	8.8	E1 <input type="checkbox"/> or GP <input type="checkbox"/>	FM <input type="checkbox"/> , W4 <input type="checkbox"/> , or W6 <input type="checkbox"/>
855	230	1	12 (305)	XE1-12-0855-230160-?-*-A	4.4	E1 <input type="checkbox"/> or GP <input type="checkbox"/>	FM <input type="checkbox"/> , W4 <input type="checkbox"/> , or W6 <input type="checkbox"/>
855	230	3	12 (305)	XE1-12-0855-230360-?-*-A	2.4	E1 <input type="checkbox"/> , E2 <input type="checkbox"/> , or GP <input type="checkbox"/>	FM <input type="checkbox"/> , W4 <input type="checkbox"/> , or W6 <input type="checkbox"/>
855	460	3	12 (305)	XE1-12-0855-460360-?-*-A	1.2	E1 <input type="checkbox"/> , E2 <input type="checkbox"/> , or GP <input type="checkbox"/>	FM <input type="checkbox"/> , W4 <input type="checkbox"/> , or W6 <input type="checkbox"/>
855	575	3	12 (305)	XE1-12-0855-575360-?-*-A	0.95	E1 <input type="checkbox"/> , E2 <input type="checkbox"/> , or GP <input type="checkbox"/>	FM <input type="checkbox"/> , W4 <input type="checkbox"/> , or W6 <input type="checkbox"/>
1210	115	1	12 (305)	XE1-12-1210-115160-?-*-A	8.8	E1 <input type="checkbox"/> or GP <input type="checkbox"/>	FM <input type="checkbox"/> , W4 <input type="checkbox"/> , or W6 <input type="checkbox"/>
1210	230	1	12 (305)	XE1-12-1210-230160-?-*-A	4.4	E1 <input type="checkbox"/> or GP <input type="checkbox"/>	FM <input type="checkbox"/> , W4 <input type="checkbox"/> , or W6 <input type="checkbox"/>
1210	230	3	12 (305)	XE1-12-1210-230360-?-*-A	2.4	E1 <input type="checkbox"/> , E2 <input type="checkbox"/> , or GP <input type="checkbox"/>	FM <input type="checkbox"/> , W4 <input type="checkbox"/> , or W6 <input type="checkbox"/>
1210	460	3	12 (305)	XE1-12-1210-460360-?-*-A	1.2	E1 <input type="checkbox"/> , E2 <input type="checkbox"/> , or GP <input type="checkbox"/>	FM <input type="checkbox"/> , W4 <input type="checkbox"/> , or W6 <input type="checkbox"/>
1210	575	3	12 (305)	XE1-12-1210-575360-?-*-A	0.95	E1 <input type="checkbox"/> , E2 <input type="checkbox"/> , or GP <input type="checkbox"/>	FM <input type="checkbox"/> , W4 <input type="checkbox"/> , or W6 <input type="checkbox"/>
1350	115	1	16 (406)	XE1-16-1350-115160-?-*-A	8.8	E1 <input type="checkbox"/> or GP <input type="checkbox"/>	FM <input type="checkbox"/> , W4 <input type="checkbox"/> , or W6 <input type="checkbox"/>
1350	230	1	16 (406)	XE1-16-1350-230160-?-*-A	4.4	E1 <input type="checkbox"/> or GP <input type="checkbox"/>	FM <input type="checkbox"/> , W4 <input type="checkbox"/> , or W6 <input type="checkbox"/>
1350	230	3	16 (406)	XE1-16-1350-230360-?-*-A	2.4	E1 <input type="checkbox"/> , E2 <input type="checkbox"/> , or GP <input type="checkbox"/>	FM <input type="checkbox"/> , W4 <input type="checkbox"/> , or W6 <input type="checkbox"/>
1350	460	3	16 (406)	XE1-16-1350-460360-?-*-A	1.2	E1 <input type="checkbox"/> , E2 <input type="checkbox"/> , or GP <input type="checkbox"/>	FM <input type="checkbox"/> , W4 <input type="checkbox"/> , or W6 <input type="checkbox"/>
1350	575	3	16 (406)	XE1-16-1350-575360-?-*-A	0.95	E1 <input type="checkbox"/> , E2 <input type="checkbox"/> , or GP <input type="checkbox"/>	FM <input type="checkbox"/> , W4 <input type="checkbox"/> , or W6 <input type="checkbox"/>
1850	115	1	16 (406)	XE1-16-1850-115160-?-*-A	8.8	E1 <input type="checkbox"/> or GP <input type="checkbox"/>	FM <input type="checkbox"/> , W4 <input type="checkbox"/> , or W6 <input type="checkbox"/>
1850	230	1	16 (406)	XE1-16-1850-230160-?-*-A	4.4	E1 <input type="checkbox"/> or GP <input type="checkbox"/>	FM <input type="checkbox"/> , W4 <input type="checkbox"/> , or W6 <input type="checkbox"/>
1850	230	3	16 (406)	XE1-16-1850-230360-?-*-A	2.4	E1 <input type="checkbox"/> , E2 <input type="checkbox"/> , or GP <input type="checkbox"/>	FM <input type="checkbox"/> , W4 <input type="checkbox"/> , or W6 <input type="checkbox"/>
1850	460	3	16 (406)	XE1-16-1850-460360-?-*-A	1.2	E1 <input type="checkbox"/> , E2 <input type="checkbox"/> , or GP <input type="checkbox"/>	FM <input type="checkbox"/> , W4 <input type="checkbox"/> , or W6 <input type="checkbox"/>
1850	575	3	16 (406)	XE1-16-1850-575360-?-*-A	0.95	E1 <input type="checkbox"/> , E2 <input type="checkbox"/> , or GP <input type="checkbox"/>	FM <input type="checkbox"/> , W4 <input type="checkbox"/> , or W6 <input type="checkbox"/>
2500	115	1	16 (406)	XE1-16-2500-115160-?-*-A	8.8	E1 <input type="checkbox"/> or GP <input type="checkbox"/>	FM <input type="checkbox"/> , W4 <input type="checkbox"/> , or W6 <input type="checkbox"/>
2500	230	1	16 (406)	XE1-16-2500-230160-?-*-A	4.4	E1 <input type="checkbox"/> or GP <input type="checkbox"/>	FM <input type="checkbox"/> , W4 <input type="checkbox"/> , or W6 <input type="checkbox"/>
2500	230	3	16 (406)	XE1-16-2500-230360-?-*-A	2.4	E1 <input type="checkbox"/> , E2 <input type="checkbox"/> , or GP <input type="checkbox"/>	FM <input type="checkbox"/> , W4 <input type="checkbox"/> , or W6 <input type="checkbox"/>
2500	460	3	16 (406)	XE1-16-2500-460360-?-*-A	1.2	E1 <input type="checkbox"/> , E2 <input type="checkbox"/> , or GP <input type="checkbox"/>	FM <input type="checkbox"/> , W4 <input type="checkbox"/> , or W6 <input type="checkbox"/>
2500	575	3	16 (406)	XE1-16-2500-575360-?-*-A	0.95	E1 <input type="checkbox"/> , E2 <input type="checkbox"/> , or GP <input type="checkbox"/>	FM <input type="checkbox"/> , W4 <input type="checkbox"/> , or W6 <input type="checkbox"/>

# XE1 Exhario SERIES SUBMITTAL

Exhaust Fan

For Hazardous Locations



## Continued (Flush Mount (FM))

CFM	Volts	Ph	Fan Diameter In. (mm)	Base Model Code before motor Options ? = Select a <b>Motor type</b> * = Select a <b>Mounting Configuration</b> †	Total Amps (A)	"Motor Type" ? See below for Motor Options (See below for more information)	Mounting Configuration * (See below for more information)
2300	115	1	20 (508)	XE1-20-2300-115160-?-*-A	8.8	E1 <input type="checkbox"/> or GP <input type="checkbox"/>	FM <input type="checkbox"/> , W4 <input type="checkbox"/> , or W6 <input type="checkbox"/>
2300	230	1	20 (508)	XE1-20-2300-230160-?-*-A	4.4	E1 <input type="checkbox"/> or GP <input type="checkbox"/>	FM <input type="checkbox"/> , W4 <input type="checkbox"/> , or W6 <input type="checkbox"/>
2300	230	3	20 (508)	XE1-20-2300-230360-?-*-A	2.4	E1 <input type="checkbox"/> , E2 <input type="checkbox"/> , or GP <input type="checkbox"/>	FM <input type="checkbox"/> , W4 <input type="checkbox"/> , or W6 <input type="checkbox"/>
2300	460	3	20 (508)	XE1-20-2300-460360-?-*-A	1.2	E1 <input type="checkbox"/> , E2 <input type="checkbox"/> , or GP <input type="checkbox"/>	FM <input type="checkbox"/> , W4 <input type="checkbox"/> , or W6 <input type="checkbox"/>
2300	575	3	20 (508)	XE1-20-2300-575360-?-*-A	0.95	E1 <input type="checkbox"/> , E2 <input type="checkbox"/> , or GP <input type="checkbox"/>	FM <input type="checkbox"/> , W4 <input type="checkbox"/> , or W6 <input type="checkbox"/>
3400	115	1	20 (508)	XE1-20-3400-115160-?-*-A	8.8	E1 <input type="checkbox"/> or GP <input type="checkbox"/>	FM <input type="checkbox"/> , W4 <input type="checkbox"/> , or W6 <input type="checkbox"/>
3400	230	1	20 (508)	XE1-20-3400-230160-?-*-A	4.4	E1 <input type="checkbox"/> or GP <input type="checkbox"/>	FM <input type="checkbox"/> , W4 <input type="checkbox"/> , or W6 <input type="checkbox"/>
3400	230	3	20 (508)	XE1-20-3400-230360-?-*-A	2.4	E1 <input type="checkbox"/> , E2 <input type="checkbox"/> , or GP <input type="checkbox"/>	FM <input type="checkbox"/> , W4 <input type="checkbox"/> , or W6 <input type="checkbox"/>
3400	460	3	20 (508)	XE1-20-3400-460360-?-*-A	1.2	E1 <input type="checkbox"/> , E2 <input type="checkbox"/> , or GP <input type="checkbox"/>	FM <input type="checkbox"/> , W4 <input type="checkbox"/> , or W6 <input type="checkbox"/>
3400	575	3	20 (508)	XE1-20-3400-575360-?-*-A	0.95	E1 <input type="checkbox"/> , E2 <input type="checkbox"/> , or GP <input type="checkbox"/>	FM <input type="checkbox"/> , W4 <input type="checkbox"/> , or W6 <input type="checkbox"/>
3900	115	1	20 (508)	XE1-20-3900-115160-?-*-A	8.8	E1 <input type="checkbox"/> or GP <input type="checkbox"/>	FM <input type="checkbox"/> , W4 <input type="checkbox"/> , or W6 <input type="checkbox"/>
3900	230	1	20 (508)	XE1-20-3900-230160-?-*-A	4.4	E1 <input type="checkbox"/> or GP <input type="checkbox"/>	FM <input type="checkbox"/> , W4 <input type="checkbox"/> , or W6 <input type="checkbox"/>
3900	230	3	20 (508)	XE1-20-3900-230360-?-*-A	2.4	E1 <input type="checkbox"/> , E2 <input type="checkbox"/> , or GP <input type="checkbox"/>	FM <input type="checkbox"/> , W4 <input type="checkbox"/> , or W6 <input type="checkbox"/>
3900	460	3	20 (508)	XE1-20-3900-460360-?-*-A	1.2	E1 <input type="checkbox"/> , E2 <input type="checkbox"/> , or GP <input type="checkbox"/>	FM <input type="checkbox"/> , W4 <input type="checkbox"/> , or W6 <input type="checkbox"/>
3900	575	3	20 (508)	XE1-20-3900-575360-?-*-A	0.95	E1 <input type="checkbox"/> , E2 <input type="checkbox"/> , or GP <input type="checkbox"/>	FM <input type="checkbox"/> , W4 <input type="checkbox"/> , or W6 <input type="checkbox"/>
5100	115	1	20 (508)	XE1-20-5100-115160-?-*-A	8.8	E1 <input type="checkbox"/> or GP <input type="checkbox"/>	FM <input type="checkbox"/> , W4 <input type="checkbox"/> , or W6 <input type="checkbox"/>
5100	230	1	20 (508)	XE1-20-5100-230160-?-*-A	4.4	E1 <input type="checkbox"/> or GP <input type="checkbox"/>	FM <input type="checkbox"/> , W4 <input type="checkbox"/> , or W6 <input type="checkbox"/>
5100	230	3	20 (508)	XE1-20-5100-230360-?-*-A	2.4	E1 <input type="checkbox"/> , E2 <input type="checkbox"/> , or GP <input type="checkbox"/>	FM <input type="checkbox"/> , W4 <input type="checkbox"/> , or W6 <input type="checkbox"/>
5100	460	3	20 (508)	XE1-20-5100-460360-?-*-A	1.2	E1 <input type="checkbox"/> , E2 <input type="checkbox"/> , or GP <input type="checkbox"/>	FM <input type="checkbox"/> , W4 <input type="checkbox"/> , or W6 <input type="checkbox"/>
5100	575	3	20 (508)	XE1-20-5100-575360-?-*-A	0.95	E1 <input type="checkbox"/> , E2 <input type="checkbox"/> , or GP <input type="checkbox"/>	FM <input type="checkbox"/> , W4 <input type="checkbox"/> , or W6 <input type="checkbox"/>

(†) Refer to last page for Option Code Reference Chart

- Supply voltage must be within +/- 10% of rated heater voltage. Actual Output (kW) = [Line voltage]<sup>2</sup> ÷ (Rated Voltage)<sup>2</sup> x Rated Unit Wattage (kW)

# XE F1 Exhario SERIES SUBMITTAL

Exhaust Fan

For Hazardous Locations



## Hazardous location rating for motor:

### E1 Motor Rating

#### Division System

CLASS I, DIV 1 & 2, GROUPS C, D

CLASS II, DIV 1 & 2, GROUPS F, G, Temperature Code: T3B

### E2 Motor Rating

#### Division System

CLASS I, DIV 2, GROUPS A, B, C, D, Temperature Code: T3

#### Zone System

Class I, Zone 2, IIC

Ta = -50°C to +40°C, IP66, Type 4, T3

#### Wall Mount Accessories

Catalog Number	Description	<input checked="" type="checkbox"/>
BTX2-N-B *	Temperature adjustment range: 40°F to 80°F (5°C to 25°C); 3/4" - NPT conduit opening on top and bottom; Ship wt - 3.5 lbs (1.6 kg) 15 Amps Resistive Load, 480 VAC Max; 3/4 HP@125 VAC; 1-1/2 HP@ 250 VAC (suitable for 24 volt or 120 volt control circuit) Class I, Div. 1, Groups B, C & D, Class I, Zone 1, AEx db, Group IIB+H <sub>2</sub> , Ex db, Group IIB+H <sub>2</sub> , T6, Gb Class II, Div. 1, Groups E, F & G, Class II, Div. 2, Groups F & G: Class III, T6, Class II, Zone 21, AEx tb, Group IIIC, Ex tb, Group IIIC, T85°C, Db -50°C ≤ T <sub>amb</sub> ≤ +40°C, IP66, Type 4	<input type="checkbox"/>
XDC-01	<b>Wall mount hazardous location disconnect switch. <u>Not</u> suitable for Hydrogen gas atmosphere</b> 600V, 50A max; 15 HP@208/240V, 3 phase; 30 HP@480/600V, 3 phase; 2 HP@120V, 1 phase; 7.5 HP@240V, 1 phase Class I, Division 1 & 2, Groups C & D; Class II, Division 1, Groups E, F & G; Class II, Division 2, Groups F & G; Class III Class I, Zone 1 & 2, Grp IIA & IIB, T5	<input type="checkbox"/>

# XE1 Exhario SERIES SUBMITTAL

Exhaust Fan

For Hazardous Locations



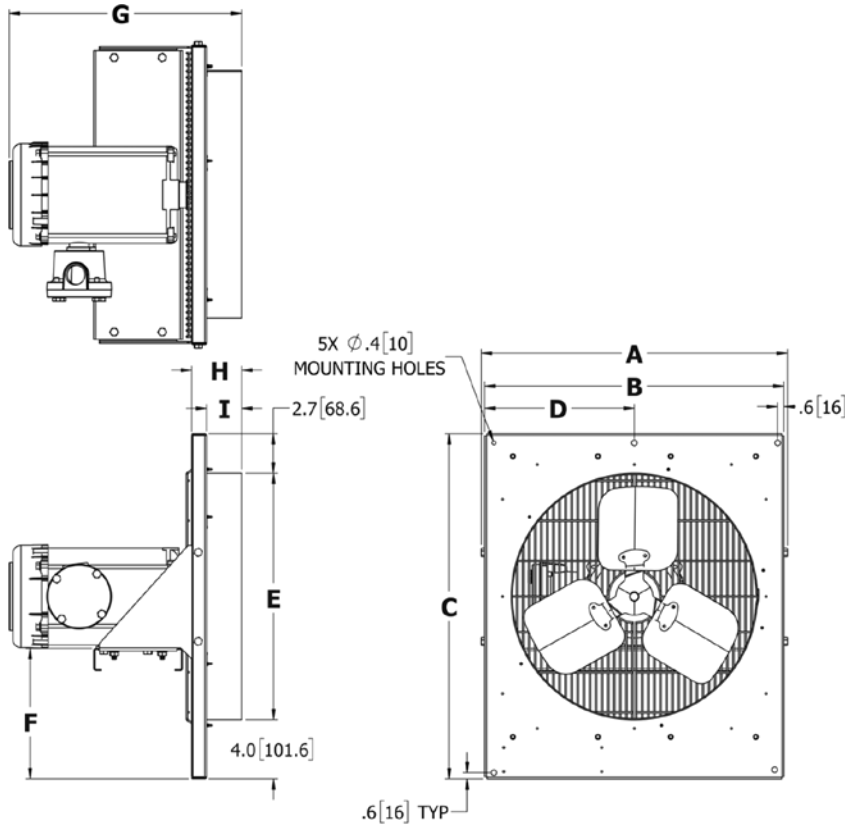
## XE1 Weights by Model Size

Flush Mount (FM)				
XE1 Fan size in. (mm)	12 (305)	16 (406)	20 (508)	24 (610)
Approximate Net Weight Lbs (kg)	41 (18.6)	44 (20.0)	50 (22.7)	56 (25.4)
Approximate Shipping Weight* Lbs (kg)	47 (21.3)	54 (24.5)	75 (34.0)	90 (40.8)

Through-the-wall (W4 or W6)								
XE1 Fan size in. (mm)	12 (305)		16 (406)		20 (508)		24 (610)	
Wall depth	W4	W6	W4	W6	W4	W6	W4	W6
Approximate Net Weight Lbs (kg)	49 (22.2)	51 (23.1)	56 (25.4)	58 (26.3)	66 (29.9)	68 (30.8)	76 (34.5)	79 (35.8)
Approximate Shipping Weight* Lbs (kg)	52 (23.6)	54 (24.5)	61 (27.7)	63 (28.6)	88 (39.9)	91 (41.3)	99 (44.9)	102 (46.3)

\* All heaters are individually packed in cardboard packaging. The 20" fan size models and up are additionally strapped to a pallet.

## XE1 Physical Dimensions



Flush Mount and Through-the-wall				
Fan Size (in)	12	16	20	24
Dim.	Inches (mm)	Inches (mm)	Inches (mm)	Inches (mm)
A	16.7 (425)	20.7 (526)	24.7 (628)	28.6 (727)
	16.2 (413)	20.2 (514)	24.2 (616)	28.2 (715)
B	19.3 (491)	23.3 (592)	27.3 (694)	31.3 (795)
	8.1 (206)	10.1 (257)	12.1 (308)	14.1 (358)

Flush Mount only				
Fan Size (in)	12	16	20	24
Dim.	Inches (mm)	Inches (mm)	Inches (mm)	Inches (mm)
E	12.8 (324)	16.6 (423)	20.8 (528)	24.9 (632)
	6.8 (173)	8.8 (224)	10.8 (275)	12.8 (325)
G	15.7 (399)	15.7 (399)	15.7 (399)	16.3 (415)
	3.4 (86)	3.4 (86)	3.4 (86)	4.0 (101)
I	2.4 (60)	2.4 (60)	2.4 (60)	3.0 (76)

# XE F1 Exhario SERIES SUBMITTAL

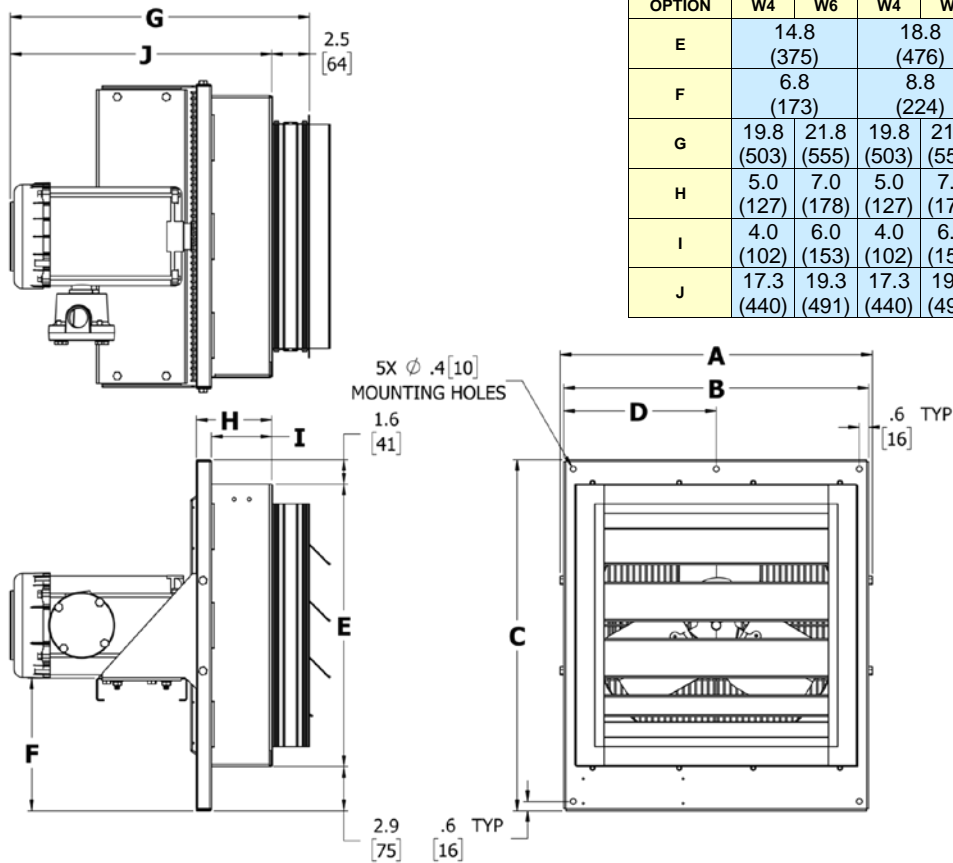
Exhaust Fan

For Hazardous Locations



Flush Mount and Through-the-wall				
Fan Size (in)	12	16	20	24
Dim.	Inches (mm)	Inches (mm)	Inches (mm)	Inches (mm)
A	16.7 (425)	20.7 (526)	24.7 (628)	28.6 (727)
	16.2 (413)	20.2 (514)	24.2 (616)	28.2 (715)
B	19.3 (491)	23.3 (592)	27.3 (694)	31.3 (795)
	8.1 (206)	10.1 (257)	12.1 (308)	14.1 (358)

Through-the-wall Mount only								
Fan Size (in)	12		16		20		24	
Dim.	Inches (mm)		Inches (mm)		Inches (mm)		Inches (mm)	
OPTION	W4	W6	W4	W6	W4	W6	W4	W6
E	14.8 (375)	21.8 (555)	18.8 (476)	21.8 (555)	22.8 (578)	21.8 (555)	26.8 (679)	21.8 (555)
F	6.8 (173)		8.8 (224)		10.8 (275)		12.8 (325)	
G	19.8 (503)	21.8 (555)	19.8 (503)	21.8 (555)	19.8 (503)	21.8 (555)	19.8 (503)	21.8 (555)
H	5.0 (127)	7.0 (178)	5.0 (127)	7.0 (178)	5.0 (127)	7.0 (178)	5.0 (127)	7.0 (178)
I	4.0 (102)	6.0 (153)	4.0 (102)	6.0 (153)	4.0 (102)	6.0 (153)	4.0 (102)	6.0 (153)
J	17.3 (440)	19.3 (491)	17.3 (440)	19.3 (491)	17.3 (440)	19.3 (491)	17.3 (440)	19.3 (491)



# XE1 Exhario SERIES SUBMITTAL

Exhaust Fan

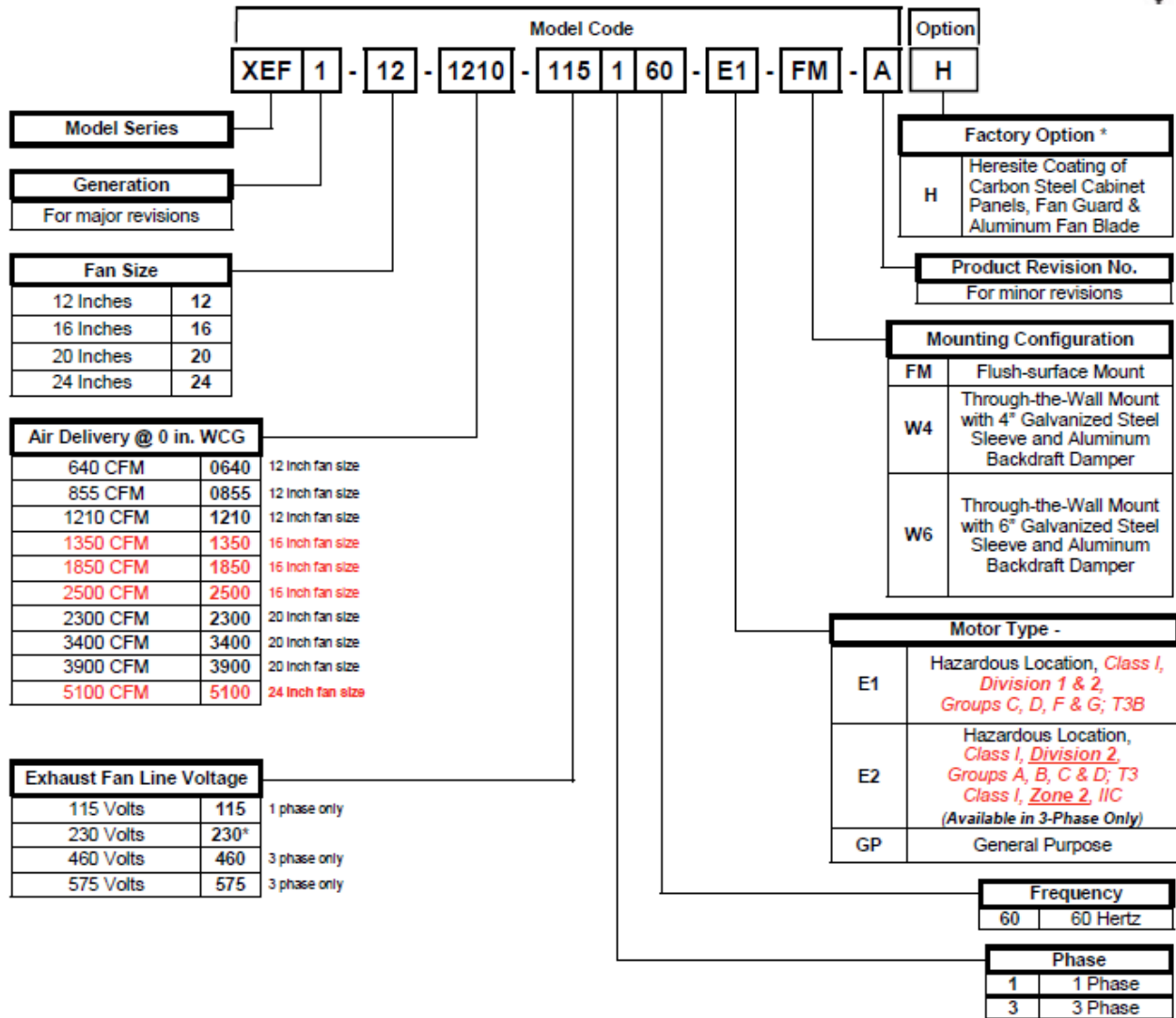
For Hazardous Locations



## XE1 Model Coding on Data Plate



Model and Option Code Reference Chart



- Other motor types may be available. Contact Factory with your specific requirement.  
 \* Due to the new U.S. DoE (Department of Energy) regulation change impacting "Useable at" Nameplate Voltages and federal efficiency requirements, E1 and E2 Motor Types will be marked as 230 Volt only on the motor nameplate (instead of 208-230V), but will still be suitable for use at 208V line voltage based on the manufacturer's marketing literature. However, the GP Motor Type is 230V only. It can not be used at 208V.

Submittal/Approval Drawing- XEF1- Flush Mount (FM)