



**Hazloc  
Heaters™**

*Safe heat when you need it!*



  
**XEF1**  
Exhaurio

**XEF1**

**New!**

**Industrial Grade  
Explosion-Proof Exhaust Fan  
For Hazardous Locations**

**[www.HazlocHeaters.com](http://www.HazlocHeaters.com)**



**Hazloc Heaters™** is a manufacturer of industrial-grade unit heaters, exhaust fans, and accessories for hazardous and severe-duty locations.

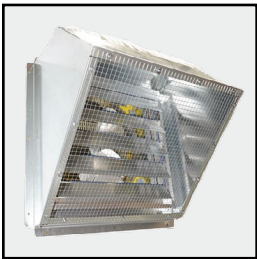


The **XE1 Exhaurio** series of **heavy duty industrial-grade** explosion-proof wall mount exhaust fans are engineered to meet the most demanding requirements of industrial environments. The harsh operating conditions require equipment that is safe, reliable, and available when you need it. **XE1** exhaust fans are designed for maximum performance to provide building air ventilation in hazardous and general purpose locations.

### ***Designed for hazardous locations!***

All **Hazloc Heaters™ XE1** exhaust fans for ventilation of combustible gases and dusts in hazardous locations are **designed in compliance to UL705 (2022) and CSA 22.2 No 113 (2018)**. They are constructed of epoxy-coated steel panels, OSHA compliant fan guards, spark resistant fan blades, spark resistant fan shrouds (compliant to AMCA 99, Type B) and include explosion-proof motors that are CSA approved and/or UL listed. The 3 configurations and four sizes of **XE1** exhaust fans are available in **various single-phase and three-phase models from 115 to 575 Volts** to meet your specific requirements. Models with general purpose motors and accessories, that include storm hoods and backdraft dampers, are also available.

### ***Applications!***



**XE1 Exhaurio** exhaust fans are suitable for a wide variety of **industrial applications** that include, but are not limited to, petroleum refineries, gasoline storage and dispensing areas, hydrogen atmospheres, oil & gas wellhead buildings, petrochemical plants, sewage or wastewater treatment plants, battery storage areas, dry cleaning plants and hazardous material storage buildings.



### ***Rugged design, but easily maintained!***

**XE1** wall mount exhaust fans are designed for **industrial applications** with all features being **heavy-duty** to meet your most demanding environments and long-life expectations. All aspects and details are subjected to exhaustive technical analysis and testing during design and development, and are manufactured under an ISO registered quality assurance program. Ease of installation and high-quality components minimize installation and maintenance costs.

***Maximum durability... 18 GA epoxy-coated carbon steel cabinet housing panels, 14 GA motor mount, and fan guard with a 12 GA aluminum shroud!***

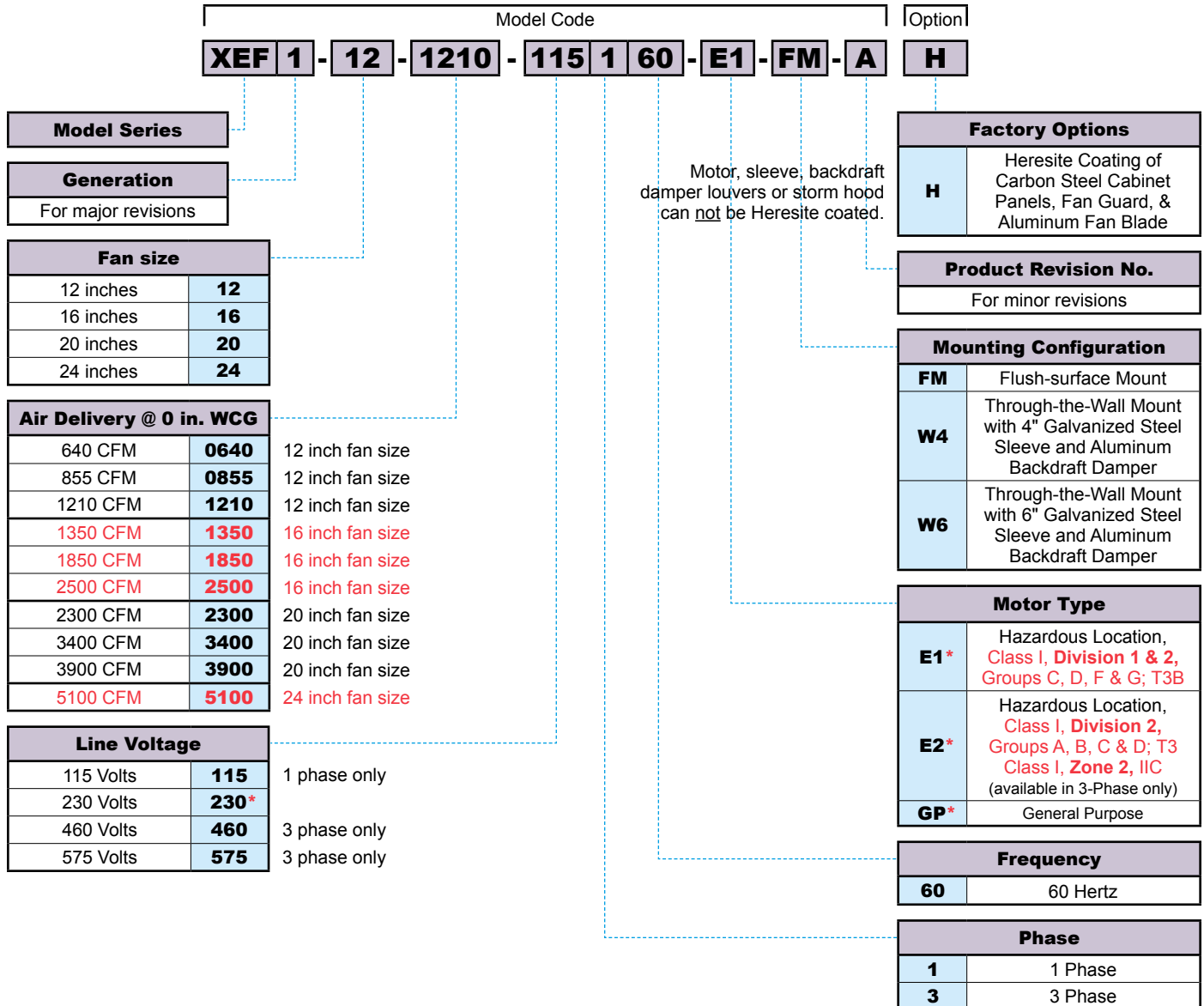


The versatile **XE1 Exhaurio FM** configuration of exhaust fan incorporates cabinet construction consisting of a epoxy/polyester powder-coated carbon steel, **18 GA** fan panel, **14 GA** motor mount, and fan guard, for added protection from corrosive atmospheres and a **12 GA** aluminum shroud. For the **W4** and **W6** through-the-wall configurations we also incorporate a pre-assembled **18 GA** galvanized steel sleeve and extruded aluminum backdraft damper. Heresite coating is available as an option on the motor mount, fan panel, fan guard and fan blade (motors, sleeves, backdraft damper louvers and storm hoods are not Heresite coated).



# XE1 Model Coding

Model and Option Code Reference Chart



\*Due to the new U.S. DoE (Department of Energy) regulation change impacting "Useable at" Nameplate Voltages and federal efficiency requirements, **E1** and **E2** Motor Types will be marked as 230 Volt only on the motor nameplate (instead of 208-230V), but will still be suitable for use at 208V line voltage based on the manufacturer's marketing literature. However, the **GP** Motor Type is 230V only. It can not be used at 208V.

Other motor types may be available. Contact Factory with your specific requirements.

## XE1 Configurations Available (16 inch fan size shown)

### 1) Flush-surface Mount (FM)

TEFC hazardous location or general purpose motors available

Robust 14-gauge three-piece motor mount design prevents premature cracking

Epoxy coated 18-gauge steel cabinet housing construction for durability

Aluminum fan blade with easy-off replacement feature

12 GA spark-resistant aluminum fan shroud compliant to AMCA 99, Type B

Epoxy coated, OSHA compliant, split fan guard for easy access to fan blade

(Refer to page 9 and 10 for accessories)

### 2) Through-the-Wall Mount with 4" Sleeve and Aluminum Backdraft Damper (W4)

Same features as (FM) above plus:

4" deep, 18 GA galvanized steel sleeve

AMCA 511 compliant, 6063-T5 aluminum, backdraft dampers are supported by self-lubricating bearings and seals to ensure a maintenance-free life and air leakage prevention longevity

(Refer to page 9 and 10 for accessories)

### 3) Through-the-Wall Mount with 6" Sleeve and Aluminum Backdraft Damper (W6)

Same features as (FM) above plus:

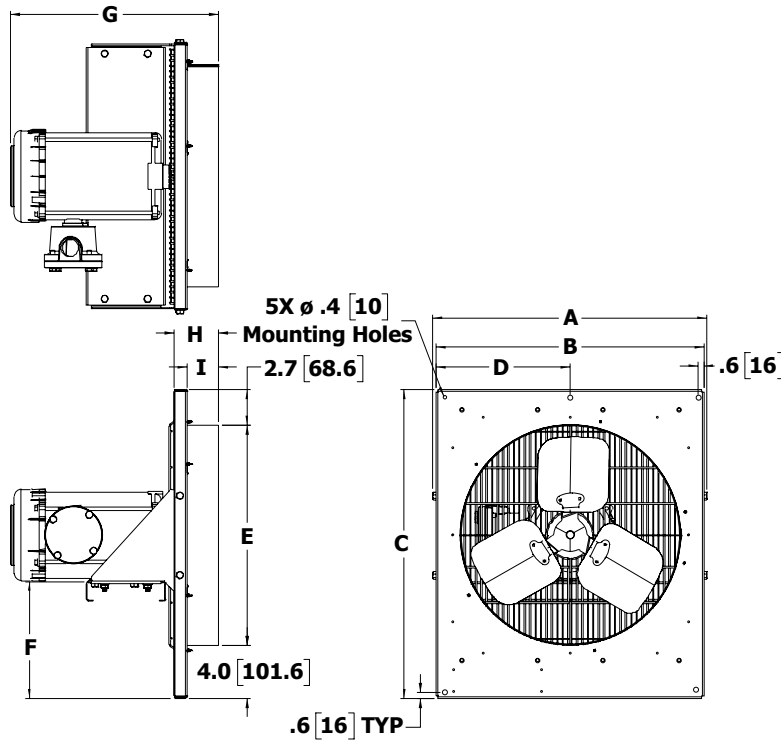
6" deep, 18 GA galvanized steel sleeve

AMCA 511 compliant, 6063-T5 aluminum, backdraft dampers are supported by self-lubricating bearings and seals to ensure a maintenance-free life and air leakage prevention longevity

(Refer to page 9 and 10 for accessories)

# XE F1 Physical Dimensions

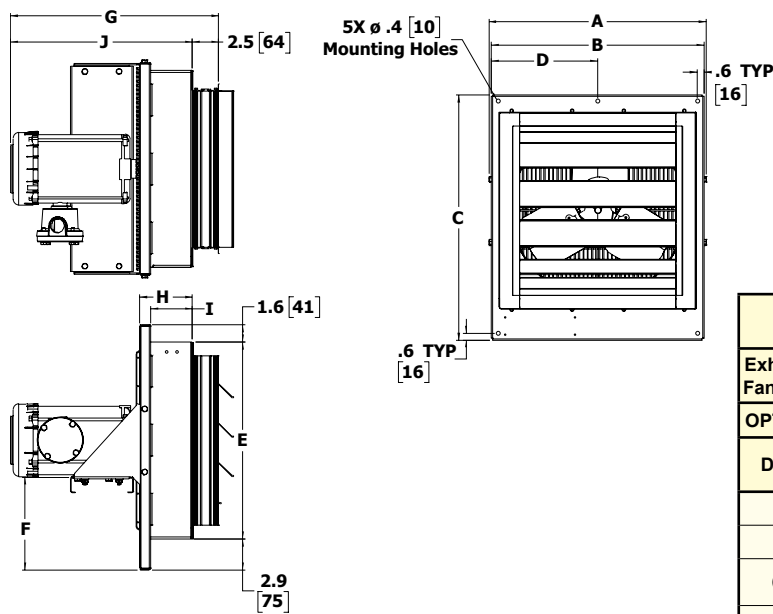
## Flush-surface Mount Configuration (FM)



Flush-Surface Mount (FM) & Through-the-Wall Mount (W4 or W6) Configuration Common Dimensions				
Exhaust Fan Size	12	16	20	24
Dim.	Inches (mm)	Inches (mm)	Inches (mm)	Inches (mm)
A	16.7 (425)	20.7 (526)	24.7 (628)	28.6 (727)
B	16.2 (413)	20.2 (514)	24.2 (616)	28.2 (715)
C	19.3 (491)	23.3 (592)	27.3 (694)	31.3 (795)
D	8.1 (206)	10.1 (257)	12.1 (308)	14.1 (358)

Flush-Surface Mount Configuration (FM) Only				
Dim.	Inches (mm)	Inches (mm)	Inches (mm)	Inches (mm)
E	12.8 (324)	16.6 (423)	20.8 (528)	24.9 (632)
F	6.8 (173)	8.8 (224)	10.8 (275)	12.8 (325)
G	15.7 (399)	15.7 (399)	15.7 (399)	16.3 (415)
H	3.4 (86)	3.4 (86)	3.4 (86)	4 (101)
I	2.4 (60)	2.4 (60)	2.4 (60)	3 (76)

## Through-the-Wall Mount Configuration with Sleeve (W4 or W6)



Through-the-Wall Mount (W4 or W6) Configuration Common Dimensions								
Exhaust Fan Size	12		16		20		24	
	W4	W6	W4	W6	W4	W6	W4	W6
Dim.	Inches (mm)		Inches (mm)		Inches (mm)		Inches (mm)	
E	14.8 (375)		18.8 (476)		22.8 (578)		26.8 (679)	
F	6.8 (173)		8.8 (224)		10.8 (275)		12.8 (325)	
G	19.8 (503)	21.8 (555)	19.8 (503)	21.8 (555)	19.8 (503)	21.8 (555)	19.8 (503)	21.8 (555)
H	5.0 (127)	7.0 (178)	5.0 (127)	7.0 (178)	5.0 (127)	7.0 (178)	5.0 (127)	7.0 (178)
I	4.0 (102)	6.0 (153)	4.0 (102)	6.0 (153)	4.0 (102)	6.0 (153)	4.0 (102)	6.0 (153)
J	17.3 (440)	19.3 (491)	17.3 (440)	19.3 (491)	17.3 (440)	19.3 (491)	17.3 (440)	19.3 (491)



## XEF1 Model, Motor Type and Mounting Configurations

Base Model Code before options ? = Select a Motor Type # = Select a Mounting Configuration	Fan Size	CFM at 0 in. WCG	Voltage	Phase	Hertz	Motor Type (? - Select one)	Mounting Configuration (# - Select One)
XEF1-12-0640-115160-?-#-A	12	640	115	1	60	E1 or GP	FM or W4 or W6
XEF1-12-0855-115160-?-#-A	12	855	115	1	60	E1 or GP	FM or W4 or W6
XEF1-12-1210-115160-?-#-A	12	1210	115	1	60	E1 or GP	FM or W4 or W6
XEF1-16-1350-115160-?-#-A	16	1350	115	1	60	E1 or GP	FM or W4 or W6
XEF1-16-1850-115160-?-#-A	16	1850	115	1	60	E1 or GP	FM or W4 or W6
XEF1-16-2500-115160-?-#-A	16	2500	115	1	60	E1 or GP	FM or W4 or W6
XEF1-20-2300-115160-?-#-A	20	2300	115	1	60	E1 or GP	FM or W4 or W6
XEF1-20-3400-115160-?-#-A	20	3400	115	1	60	E1 or GP	FM or W4 or W6
XEF1-20-3900-115160-?-#-A	20	3900	115	1	60	E1 or GP	FM or W4 or W6
XEF1-24-5100-115160-?-#-A	24	5100	115	1	60	E1 or GP	FM or W4 or W6
XEF1-12-0640-230160-?-#-A	12	640	230	1	60	E1 or GP	FM or W4 or W6
XEF1-12-0855-230160-?-#-A	12	855	230	1	60	E1 or GP	FM or W4 or W6
XEF1-12-1210-230160-?-#-A	12	1210	230	1	60	E1 or GP	FM or W4 or W6
XEF1-16-1350-230160-?-#-A	16	1350	230	1	60	E1 or GP	FM or W4 or W6
XEF1-16-1850-230160-?-#-A	16	1850	230	1	60	E1 or GP	FM or W4 or W6
XEF1-16-2500-230160-?-#-A	16	2500	230	1	60	E1 or GP	FM or W4 or W6
XEF1-20-2300-230160-?-#-A	20	2300	230	1	60	E1 or GP	FM or W4 or W6
XEF1-20-3400-230160-?-#-A	20	3400	230	1	60	E1 or GP	FM or W4 or W6
XEF1-20-3900-230160-?-#-A	20	3900	230	1	60	E1 or GP	FM or W4 or W6
XEF1-24-5100-230160-?-#-A	24	5100	230	1	60	E1 or GP	FM or W4 or W6
XEF1-12-0640-230360-?-#-A	12	640	230	3	60	E1 or E2 or GP	FM or W4 or W6
XEF1-12-0855-230360-?-#-A	12	855	230	3	60	E1 or E2 or GP	FM or W4 or W6
XEF1-12-1210-230360-?-#-A	12	1210	230	3	60	E1 or E2 or GP	FM or W4 or W6
XEF1-16-1350-230360-?-#-A	16	1350	230	3	60	E1 or E2 or GP	FM or W4 or W6
XEF1-16-1850-230360-?-#-A	16	1850	230	3	60	E1 or E2 or GP	FM or W4 or W6
XEF1-16-2500-230360-?-#-A	16	2500	230	3	60	E1 or E2 or GP	FM or W4 or W6
XEF1-20-2300-230360-?-#-A	20	2300	230	3	60	E1 or E2 or GP	FM or W4 or W6
XEF1-20-3400-230360-?-#-A	20	3400	230	3	60	E1 or E2 or GP	FM or W4 or W6
XEF1-20-3900-230360-?-#-A	20	3900	230	3	60	E1 or E2 or GP	FM or W4 or W6
XEF1-24-5100-230360-?-#-A	24	5100	230	3	60	E1 or E2 or GP	FM or W4 or W6
XEF1-12-0640-460360-?-#-A	12	640	460	3	60	E1 or E2 or GP	FM or W4 or W6
XEF1-12-0855-460360-?-#-A	12	855	460	3	60	E1 or E2 or GP	FM or W4 or W6
XEF1-12-1210-460360-?-#-A	12	1210	460	3	60	E1 or E2 or GP	FM or W4 or W6
XEF1-16-1350-460360-?-#-A	16	1350	460	3	60	E1 or E2 or GP	FM or W4 or W6
XEF1-16-1850-460360-?-#-A	16	1850	460	3	60	E1 or E2 or GP	FM or W4 or W6
XEF1-16-2500-460360-?-#-A	16	2500	460	3	60	E1 or E2 or GP	FM or W4 or W6
XEF1-20-2300-460360-?-#-A	20	2300	460	3	60	E1 or E2 or GP	FM or W4 or W6
XEF1-20-3400-460360-?-#-A	20	3400	460	3	60	E1 or E2 or GP	FM or W4 or W6
XEF1-20-3900-460360-?-#-A	20	3900	460	3	60	E1 or E2 or GP	FM or W4 or W6
XEF1-24-5100-460360-?-#-A	24	5100	460	3	60	E1 or E2 or GP	FM or W4 or W6
XEF1-12-0640-575360-?-#-A	12	640	575	3	60	E1 or E2 or GP	FM or W4 or W6
XEF1-12-0855-575360-?-#-A	12	855	575	3	60	E1 or E2 or GP	FM or W4 or W6
XEF1-12-1210-575360-?-#-A	12	1210	575	3	60	E1 or E2 or GP	FM or W4 or W6
XEF1-16-1350-575360-?-#-A	16	1350	575	3	60	E1 or E2 or GP	FM or W4 or W6
XEF1-16-1850-575360-?-#-A	16	1850	575	3	60	E1 or E2 or GP	FM or W4 or W6
XEF1-16-2500-575360-?-#-A	16	2500	575	3	60	E1 or E2 or GP	FM or W4 or W6
XEF1-20-2300-575360-?-#-A	20	2300	575	3	60	E1 or E2 or GP	FM or W4 or W6
XEF1-20-3400-575360-?-#-A	20	2400	575	3	60	E1 or E2 or GP	FM or W4 or W6
XEF1-20-3900-575360-?-#-A	20	3900	575	3	60	E1 or E2 or GP	FM or W4 or W6
XEF1-24-5100-575360-?-#-A	24	5100	575	3	60	E1 or E2 or GP	FM or W4 or W6

\* Refer to Page 3 for XEF1 Model Coding.

## XEF1 Specifications By Model Size

Model		XEF1-12			XEF1-16			XEF1-20			XEF1-24			
Air Delivery @70°F (21°C) and at 0 in. WCG	cfm	640	855	1210	1350	1850	2500	2300	3400	3900	5100			
	m <sup>3</sup> /hr	1087	1453	2056	2294	3143	4248	3908	5777	6626	8665			
Fan Diameter	in	12			16			20			24			
	mm	795			1257			1511			1824			
Motor Power	hp	1/2			1/2			1/2			1/2			
	watts	373			373			373			373			
Motor Speed	rpm	1725			1725			1725			1725			
Mounting Configuration		FM	W4	W6	FM	W4	W6	FM	W4	W6	FM	W4	W6	
Number of Damper Louvers	each	0	3	3	0	4	4	0	5	5	0	6	6	
Approximate Net Weight	lbs	41	49	51	44	56	58	50	66	68	56	76	79	
	kg	18.6	22.2	23.1	20	25.4	26.3	22.7	29.9	30.8	25.4	34.5	35.8	
Approximate Shipping Weight*	lbs	47	52	54	64	71	73	75	88	91	90	99	102	
	kg	21.3	23.6	24.5	29.0	32.2	33.1	34.0	39.9	41.3	40.8	44.9	46.3	
Shipping Dimensions	Width	in	20.5			24.5			28.5			32.5		
		mm	521			622			724			826		
	Height	in	24			29			29			29		
		mm	610			737			737			737		
	Depth	in	17.5			21.5			25.5			29.5		
		mm	445			546			648			749		

\* All exhaust fans are individually packed in cardboard packaging. The 16" fan size models and up are additionally strapped to a pallet.

## XEF1 General Specifications

Explosionproof Motor Hazardous Location Classification	<b>Motor type E1</b> - Class I, Division 1 & 2, Groups C, D, F & G; T3B <b>Motor type E2</b> - Class I, <b>Division 2</b> , Groups A, B, C & D; T3; Class I, <b>Zone 2</b> , IIC (available in 3-phase only)
Standards	Designed in compliance to UL 705 (2022) and CSA 22.2 No 113 (2018).
Approvals	Motors are CSA approved and/or UL Listed.
Fan	Three-blade spark-resistant aluminum, steel spider and hub with 5/8 in. bore.
Fan Shroud	12-gauge (0.081 in.) (2.1 mm) spark-resistant aluminum. Compliant to AMCA 99, Type B.
Fan Guard	Split design with close wire spacing. Meets OSHA requirements. A 3/8 in. (9.5 mm) diameter probe will not enter. Black polyester powder coated.
Motors	1/2 HP, TEFC, permanently lubricated ball bearing type with rigid base. All standard Single-Phase and three-phase voltages available.
Cabinet Housing Material	Epoxy/polyester powder-coated carbon steel 18-gauge (0.048 in.) (1.2 mm) fan panel, 14-gauge (0.075 in) (1.9 mm) motor mount, and fan guard. 18 GA galvanized steel sleeve for <b>W4</b> and <b>W6</b> mounting configuration models.
Fasteners	Zinc plated steel for corrosion resistance.
Mounting Configuration	Flush-surface mount ( <b>FM</b> ) or Through-the-wall mount with 4" 18 GA galvanized steel sleeve and aluminum backdraft damper ( <b>W4</b> ) or Through-the-wall mount with 6" 18 GA galvanized steel sleeve and aluminum backdraft damper ( <b>W6</b> ).
Options	<b>Option Code H.</b> Heresite coating of the motor mount, fan panel, fan guard and fan blade (motors, sleeves, backdraft damper louvers or storm hoods can not be Heresite coated).
Accessories	Explosion-proof thermostat, disconnect switch, 20 GA galvanized storm hood (with bird screen) and aluminum backdraft damper.
Ambient Temperature	Operating: <b>E1</b> = - 40°F to 104°F (- 40°C to 40°C); <b>E2 &amp; GP</b> = - 4°F to 104°F (- 20°C to 40°C); Storage: - 40°F to 140°F (- 40°C to 60°C).

## XE F1 Air Flow Rating

Model	Air delivery at Static Pressure (Inches - Water Column Gauge)										
	0	0.05	0.1	0.15	0.2	0.25	0.3	0.35	0.4	0.5	
XE F1-12-0640	cfm	640	635	550	510	460	410	350	280	220	XX
	m <sup>3</sup> /hr	1087	1079	934	866	782	697	595	476	374	XX
XE F1-12-0855	cfm	855	800	770	720	670	620	580	540	480	350
	m <sup>3</sup> /hr	1453	1359	1308	1223	1138	1053	985	917	816	595
XE F1-12-1210	cfm	1210	1205	1120	1050	1000	940	910	870	830	760
	m <sup>3</sup> /hr	2056	2047	1903	1784	1699	1597	1546	1478	1410	1291
XE F1-16-1350	cfm	1350	1341	1170	1070	970	890	820	780	750	680
	m <sup>3</sup> /hr	2294	2278	1988	1818	1648	1512	1393	1325	1274	1155
XE F1-16-1850	cfm	1850	1842	1680	1590	1490	1390	1260	1180	1060	1010
	m <sup>3</sup> /hr	3143	3130	2854	2701	2532	2362	2141	2005	1801	1716
XE F1-16-2500	cfm	2500	2994	2380	2290	2220	2140	2030	1870	1630	1570
	m <sup>3</sup> /hr	4248	4237	4044	3891	3772	3636	3449	3177	2769	2667
XE F1-20-2300	cfm	2300	2290	2100	2000	1940	1840	1740	1640	1540	1440
	m <sup>3</sup> /hr	3908	3891	3568	3398	3296	3126	2956	2786	2616	2447
XE F1-20-3400	cfm	3400	3392	3250	3180	3100	3000	2900	2725	2625	2200
	m <sup>3</sup> /hr	5777	5763	5522	5403	5267	5097	4927	4630	4460	3738
XE F1-20-3900	cfm	3900	3894	3780	3720	3620	3540	3430	3330	3200	2740
	m <sup>3</sup> /hr	6626	6616	6422	6320	6150	6014	5828	5658	5437	4655
XE F1-24-5100	cfm	5100	5090	4900	4790	4650	4480	4380	4210	4130	3950
	m <sup>3</sup> /hr	8665	8648	8325	8138	7900	7612	7442	7153	7017	6711

**Note:** CFM data listed in the above table will open the louvers on the backdraft damper a minimum of 1 inch. External environmental factors can have a significant effect on the amount the louvers open and the overall performance of the exhaust fan. A 15 km/hr (9.3 mph) wind causes a 0.04 inch water column static pressure. A 30 km/hr (18.6 mph) wind causes a 0.17 inch water column static pressure. External environmental factors must be considered when sizing the CFM of the exhaust fan and the use of a storm hood as a wind block.

**Note:** The air delivery values stated in the XEF model code are for zero static pressure in front of the fan (100% open air, no obstructions). If a "through the wall mount" configuration is selected (W4 or W6) then the air delivery is reduced by approximately 20%. Example: the 2500 cfm exhaust fan with the W4 or W6 mounting configuration has an air delivery of approximately 2000 cfm. The same principle applies if the "flush surface mount" configuration (FM) is selected and the "backdraft damper" accessory is added to it.

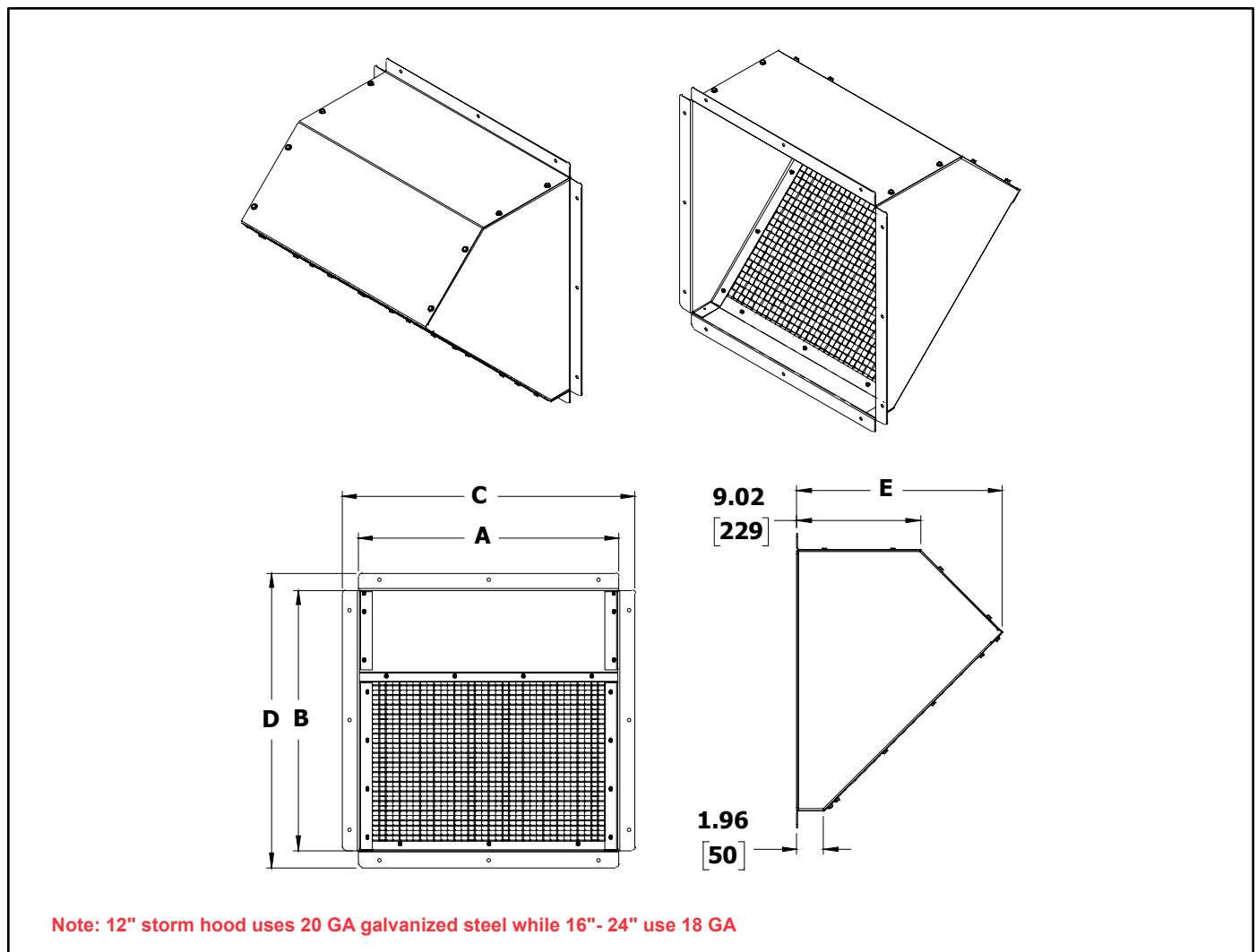


## Accessories

### Stormhood with Bird Screen - Galvanized Metal

(stormhood is shipped unassembled)

Model Size	in (mm)					lb (kg)	Sales Part No.
	A	B	C	D	E		
12	19 (483)	19.1 (485)	21.4 (556)	21.5 (546)	15 (381)	10 (4.5)	SH-12
16	23 (584)	23.1 (587)	25.4 (245)	25.5 (648)	17 (432)	17 (7.7)	SH-16
20	27 (686)	27.1 (688)	29.4 (474)	29.5 (749)	19 (483)	22 (10.0)	SH-20
24	31 (787)	31.1 (790)	33.4 (848)	33.5 (851)	21 (533)	30 (13.6)	SH-24



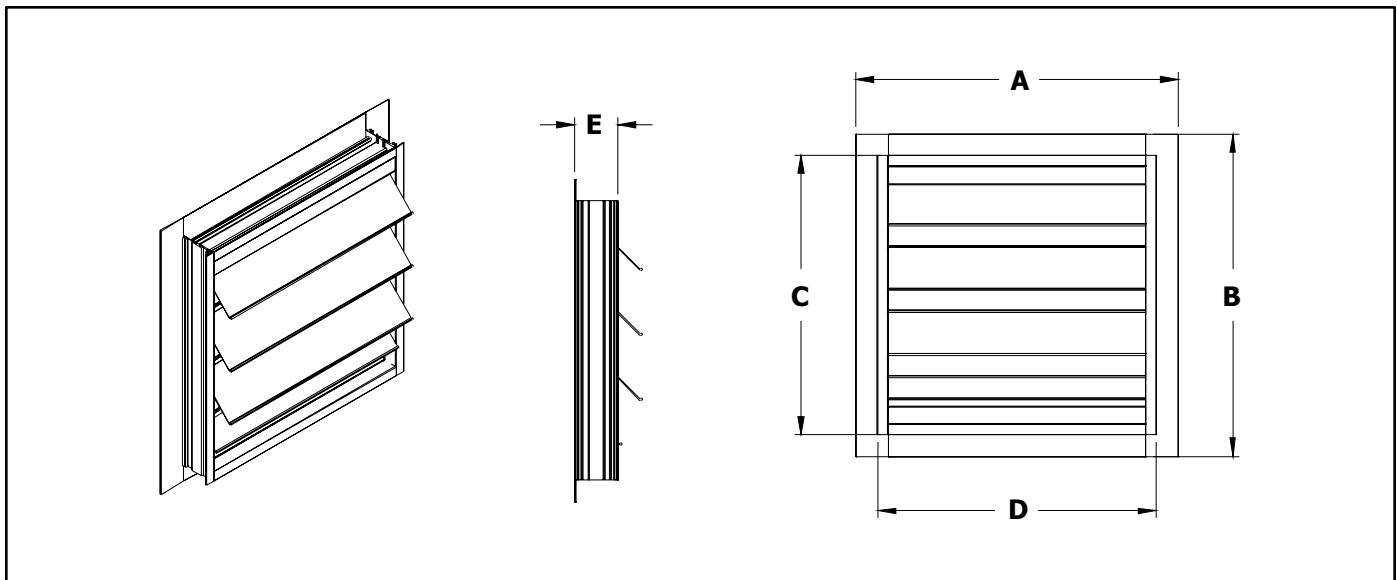
Note: 12" storm hood uses 20 GA galvanized steel while 16"- 24" use 18 GA

## Accessories (con't)

### Backdraft Damper - Extruded 6063-T5 Aluminum

(accessory for FM configuration only)

Model Size	in (mm)					Number of Louvres	lb (kg)	Sales Part No.
	A	B	C	D	E			
12	18.6 (473)	18.6 (473)	16.4 (415)	16.4 (415)	2.5 (63)	4	6 (2.7)	BD-12
16	22.6 (574)	22.6 (574)	20.4 (517)	20.4 (517)	2.5 (63)	5	9 (4.1)	BD-16
20	26.6 (676)	26.6 (676)	24.4 (619)	24.4 (619)	2.5 (63)	6	12 (5.4)	BD-20
24	30.6 (777)	30.6 (777)	28.4 (721)	28.4 (721)	2.5 (63)	7	15 (6.8)	BD-24



### Explosion-proof ExCaliber™ Series Thermostat, Remote Mount

**Note:** To use a thermostat with an exhaust fan, that is ordered with a 3-phase motor, a motor starter is required. Supplied by others.

#### BTX2-15A-W-N-A (Bi-metal, SPDT) Heating or Cooling

Class I, Division 1 & 2, Groups B, C & D

Class II, Division 1, Groups E, F & G

Class II, Division 2, Groups F & G; Class III; T6

-50°C ≤ T amb ≤ +40°C, IP66, Type 4

Class I, Zone 1, Ex db, Groups IIA, IIB+H<sub>2</sub>, T6, Gb

Class I, Zone 2, Ex dc, Groups IIA, IIB+H<sub>2</sub>, T6, Gc

Class I, Zone 1, AEx db, Groups IIA, IIB+H<sub>2</sub>, T6, Gb

Class I, Zone 2, AEx dc, Groups IIA, IIB+H<sub>2</sub>, T6, Gc

Class II, Zone 21, Ex tb, Groups IIIA, IIIB & IIIC, T85°C, Db

Class II, Zone 22, Ex tc, Groups IIIA, IIIB & IIIC, T85°C, Dc

Class II, Zone 21, AEx tb, Groups IIIA, IIIB & IIIC, T85°C, Db

Class II, Zone 22, AEx tc, Groups IIIA, IIIB & IIIC, T85°C, Dc

Temperature adjustment range: 40°F to 80°F (5°C to 25°C); 3/4" - NPT conduit opening on top and bottom

Ship wt - 3.5 lbs (1.6 kg)

15 Amps Resistive Load, 480VAC Max; 3/4HP @ 125VAC; 1-1/2HP @ 250VAC (suitable for 24VAC or 120VAC control circuit)



### Disconnect Switch, Remote Mount

#### XDC-01

Explosion-proof Disconnect switch

Class I, Div. 1 & 2, Grp C & D; Class II, Div. 1, Grp E, F & G; Class II, Div. 2, Grp F & G;

Class III; Class I, Zones 1 & 2, Grp IIA & IIB, T5

CSA C/US - Certified to Canadian and U.S. standards

600VAC, 50A max; 15HP @ 208/240VAC, 3 phase; 30HP @ 480/600VAC, 3 phase; 2HP @ 120VAC,

1 phase; 7.5HP @ 240VAC, 1 phase, Ship wt - 12.0 lbs (5.4 kg)



# Guide to Hazardous Locations

## North America/ATEX/IECEX

Classification of Divisions and Zones			
Hazard Level	Division Scheme	Zone Scheme	Definitions
Continuous Hazard	Division 1	Zone 0 / Zone 20	A location in which an explosive atmosphere is continually present.
Intermittent Hazard		Zone 1 / Zone 21	A location in which an explosive atmosphere is likely to occur in normal operation.
Hazard Under Abnormal Conditions	Division 2	Zone 2 / Zone 22	A location in which an explosive atmosphere is not likely to occur in normal operation, but may occur for short periods.

Atmosphere Groups			
Substance	Hazard Class	Division Groups	Zone Groups
Acetylene	Class I Flammable Gases	Group A	IIC
Hydrogen		Group B	IIB+H <sub>2</sub>
Ethylene		Group C	IIB
Propane		Group D	IIA
Methane		Group D	IIA#
Combustible Metal Dusts	Class II Combustible Dusts	Group E*	IIIC
Combustible Carbonaceous Dusts		Group F	IIIB
Combustible Dusts not in Group E or F (Flour, Grain, Wood, Plastics, Chemicals)		Group G	IIIB
Combustible Fibers and Flyings	Class III Fibers and Flyings	Not Applicable	IIIA

\* Group E is applicable to Class II, Division 1 only

# Methane is a Group IIA gas for non-mining applications

Temperature Codes		
Max. Surface Temperature	NEC® 500 / CEC®	NEC® 500 / IEC – Group II
450°C (842°F)	T1	T1
300°C (572°F)	T2	T2
280°C (536°F)	T2A	
260°C (500°F)	T2B	
230°C (446°F)	T2C	
215°C (419°F)	T2D	
200°C (392°F)	T3	T3
180°C (356°F)	T3A	
165°C (329°F)	T3B	
160°C (320°F)	T3C	
135°C (275°F)	T4	T4
120°C (248°F)	T4A	
100°C (212°F)	T5	T5
85°C (185°F)	T6	T6

**Note: Consult the current NEC and CEC codes for the latest technical and installation information**

### North American transition to the zone system

The U.S. and Canada have recently revised installation codes to recognize an international 3-Zone area classification system for equipment used in hazardous locations.

In Canada, all new installations must use the 3-Zone system. Existing installations may continue to use the 2-Division system or opt to re-classify using the 3-Zone system.

In the U.S., all installations (both new and existing) can either use the 2-Division system or use the 3-Zone system.

## Additional Products Available

**Hazloc Heaters™** offers a wide variety of steam/hydronic air heaters, explosion-proof electric air heaters, washdown/corrosion resistant air heaters, non-hazardous area air heaters, explosion-proof exhaust fans, air sensing thermostats, disconnect switches and other related accessories.

Please visit [www.HazlocHeaters.com](http://www.HazlocHeaters.com) and click on the *Products* link.



 **Hazloc Heaters™** *“Safe heat when you need it!”*

**Quality Mission Statement**

*Quality is... customers that come back, and products that don't.*

### Limited Warranty

**Hazloc Heaters™** warrants all **XEF1 Exhaurio** series of explosion-proof exhaust fans against defects in materials and workmanship under normal conditions of use for a period of eighteen (18) months from date of purchase, or twelve (12) months from date the product is first placed into service, whichever period lapses first, based on the following terms:

1. The exhaust fan must not be modified in any way.
2. The exhaust fan must be stored, installed and used only in accordance with the owner's manual and attached data plate information.
3. Replacement parts will be provided free of charge as necessary to restore any unit to normal operating condition, provided that the defective parts be returned to us freight prepaid and that the replacement parts be accepted freight collect.
4. The complete exhaust fan may be returned to our manufacturing plant for repair or replacement (at our discretion), freight charges prepaid and return charges collect.
5. Contamination by dirt, dust, etc. or corrosion will not be considered as defects.
6. This warranty shall be limited to the actual equipment involved and, under no circumstances, shall include or extend to installation or removal costs, or to consequential damages or losses.



**Hazloc Heaters™**

*Safe heat when you need it!*

#1, 666 Goddard Ave. NE  
Calgary, Alberta T2K 5X3 Canada  
Tel.: +1-403-730-2488  
Fax: +1-403-730-2482  
Customer Toll Free (U.S. & Canada):  
+1-866-701-Heat (4328)  
[www.HazlocHeaters.com](http://www.HazlocHeaters.com)



**Available from:**